

element grill 01 model #EG01AMG

Color: Stainless Steel

Cooking Features:

- Dual-Zone Burner System, 24,000 btu
- Zone 1: 15,000 btu/hr. (indirect cooking)
- Zone 2: 9,000 btu/hr.
- Cooking area= 346 square inches

Features:

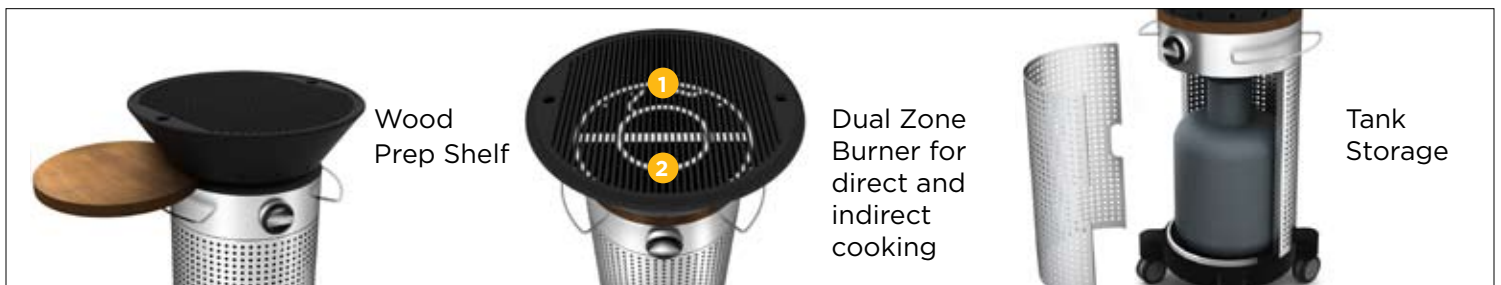
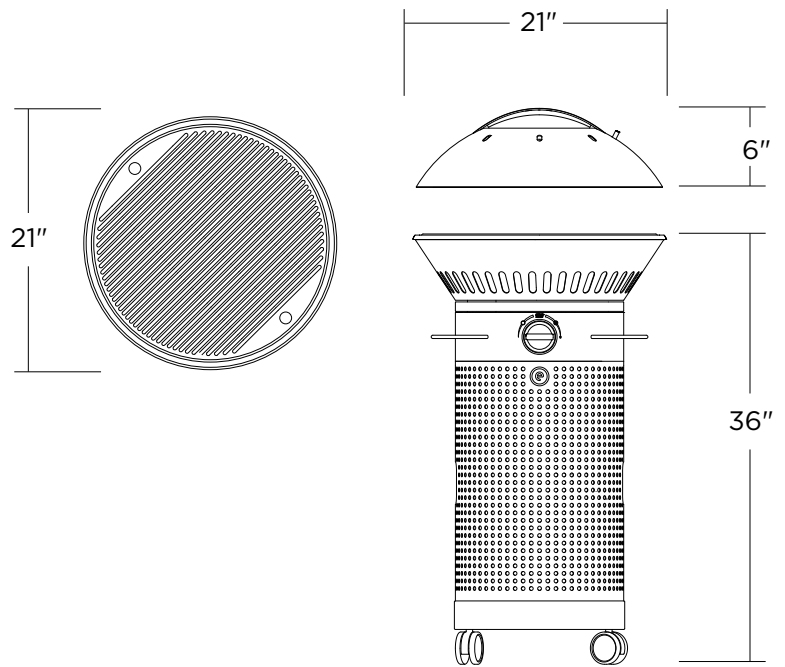
- Cast iron grill grate
- Steel Roasting Lid with temp gauge, adjustable vents and hang clip
- Wood Prep Shelf
- Gas tank storage
- Stainless steel handles for tools and towels
- Large wheels, locking casters
- Waterproof control, single knob
- Residue collection cup
- Battery igniter, AA included

Options:

- Pizza stone, cordierite (EA00APS)
- Griddle/flat plate, cast iron (EA00AGP)
- Outdoor cover (EA00AOC)
- Natural gas conversion kit (EA00AGC)

Dimensions:

- 21"W x 21"D x 36"H product
- 24"W x 24"D x 40"H shipping
- 82 lbs.



Wood Prep Shelf

Dual Zone Burner for direct and indirect cooking

Tank Storage

element grill 02 model #EG02AMG

Color: Powder Coated Dark Gray

Cooking Features:

- Dual-Zone Burner System, 24,000 btu
- Zone 1: 15,000 btu/hr. (indirect cooking)
- Zone 2: 9,000 btu/hr.
- Cooking area= 346 square inches

Features:

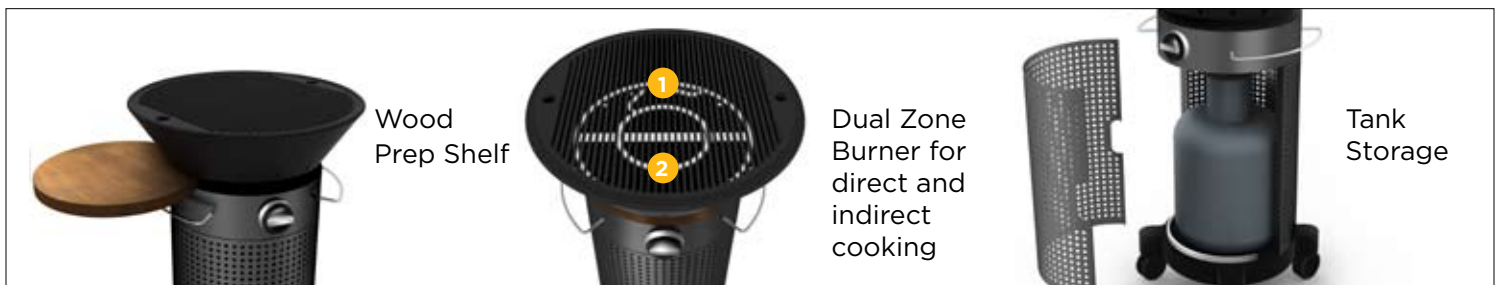
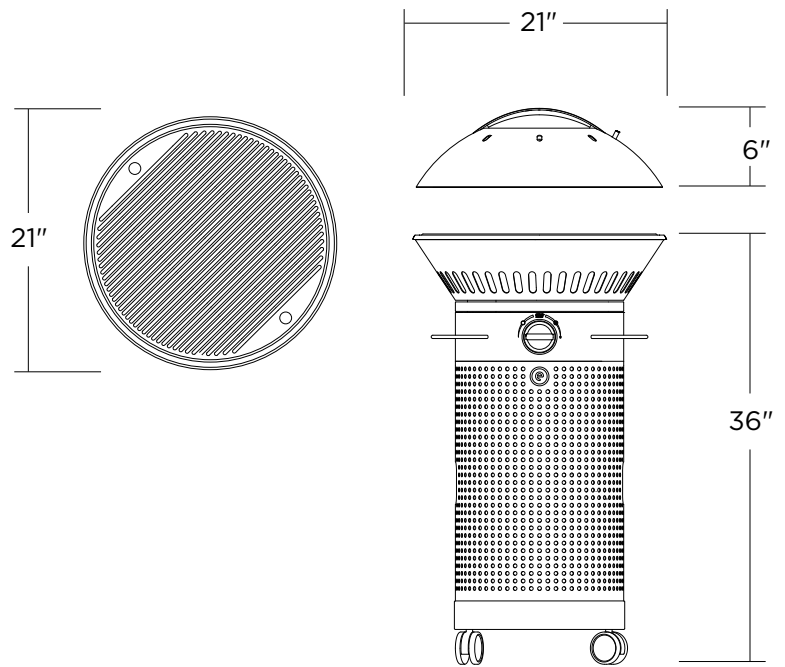
- Cast iron grill grate
- Steel Roasting Lid with temp gauge, adjustable vents and hang clip
- Wood Prep Shelf
- Gas tank storage
- Stainless steel handles for tools and towels
- Large wheels, locking casters
- Waterproof control, single knob
- Residue collection cup
- Battery igniter, AA included

Options:

- Pizza stone, cordierite (EA00APS)
- Griddle/flat plate, cast iron (EA00AGP)
- Outdoor cover (EA00AOC)
- Natural Gas Conversion Kit (EA00AGC)

Dimensions:

- 21"W x 21"D x 36"H product
- 24"W x 24"D x 40"H shipping
- 82 lbs.



element grill 03

models:

Red # EG03AMG

White # EG03BMG

Color: Powder Coated Red or White

Cooking Features:

- Dual-Zone Burner System, 24,000 btu
- Zone 1: 15,000 btu/hr. (indirect cooking)
- Zone 2: 9,000 btu/hr.
- Cooking area= 346 square inches

Features:

- Cast iron grill grate
- Steel roasting lid with temp gauge, adjustable vents and hang clip
- Gas tank storage
- Stainless steel handles for tools and towels
- Large wheels, locking casters
- Waterproof controls, single knob
- Residue collection cup
- Battery igniter, AA included

Options:

- Pizza stone, cordierite (EA00APS)
- Griddle/flat plate, cast iron (EA00AGP)
- Outdoor cover (EA00AOC)
- Natural Gas Conversion Kit (EA00AGC)

Dimensions:

- 21"W x 21"D x 36"H product
- 24"W x 24"D x 40"H shipping
- 82 lbs.

